



Please be sure to visit altronix.com for
latest firmware and installation instructions

Fiber Solution

NetWaySP4TCW53

4-port Hardened 802.3bt
4PPoE Switch (Layer 2)
with Rapid Battery Charger
115/230VAC In

NetWaySP4TCW57

4-port Hardened 802.3bt
4PPoE Switch (Layer 2)
with Rapid Battery Charger
277VAC In

Both Models Include Vent2

Installation Guide



DOC#: NetWaySP4TCW53/57 Rev. 081924

More than just power.™

Installing Company: _____ Service Rep. Name: _____

Address: _____ Phone #: _____

Overview:

Altronix NetWaySP4TCW53/W57 Hardened 802.3bt 4PPoE Layer 2 Switch is equipped with two (2) 1Gb SFP ports and four (4) 802.3bt compliant Ethernet ports rated at 90W each, with 360W total power for deploying the latest high-powered IP devices in remote locations. NetWaySP4TCW53/W57 accommodates single/multi-mode fiber or composite cable (fiber+copper) to simultaneously deliver power and data from NetWay Spectrum head-end media converters/injectors. NetWaySP4TCW53/W57 has an integrated rapid battery charger for extended battery run times. Embedded LINQ Technology enables monitoring, control, and reporting from anywhere over the network. monitoring, control, and reporting from anywhere over the network.

Features:

Agency Listings:

- CE European Conformity.

Input

POE360 (NetWaySP4TCW53)

- 115VAC, 60Hz, 3.5A or 230VAC, 50/60Hz, 2A.

POE367 (NetWaySP4TCW57)

- 277VAC, 50/60Hz, 1.75A.

Output

- Four (4) 10/100/1000 Mbps Ethernet ports rated at 90W each (360W total power).
- IEEE 802.3af, 802.3at, 802.3bt compliant.

SFP Ports:

- Two (2) Gigabit SFP ports.

Ethernet Ports:

- Four (4) 10/100/1000 Mbps ports.
- Connectivity: RJ45, auto-crossover.
- Wire type: 4-pair CAT5e or higher structured cable.
- Speed: 10/100/1000 Mbps, half/full duplex, auto negotiation.

Indicators (LED)

- Individual PoE On LEDs for each port.
- Individual IP Link status, 10/100/1000 Base-T/active LEDs for each port.
- ALOS LED indicates fiber connection for SFP port.
- Heartbeat LED indicates proper operation of the unit.

VLAN:

- Multiple management VLAN assignment.
- 802.1Q Tagged VLAN.
- Up to 10 VLAN groups. ID Range 2-4095.

LINQ Technology:

- Remote network management allows for camera/device reset and diagnostic monitoring.
- Provides local and/or remote access to critical information via LAN/WAN.
- Email and Windows Dashboard Alert notifications report real-time events.
- Event log tracks history.

Battery Backup:

- Charging four (4) 12V batteries in series.
- 2A or 4A selectable operation.
- Able to recharge 32AH or larger batteries in under 8 hours
- AC Fail Supervision (form "C" contacts).
- BAT Supervision: indicates low or missing batteries (form "C" contacts).

Mechanical:

- NEMA4/4X, IP66 Rated enclosure for outdoor use.
- Accommodates sealed lead acid or gel type or LiFePO₄ (Lithium Iron Phosphate) 12VDC batteries.
- Dimensions (H x W x D approx.): 19.31" x 17.32" x 9.58" (490.4mm x 439.9mm x 243.3mm)

***CAUTION:** When using lead acid or gel type batteries, enclosure must be properly ventilated.

Battery operational temperature should be derated 10-15°C lower than manufacture's rated high temperature.

Recommended Altronix SFP Modules:

Altronix P1MM, P1SM10, P1AB2K and P1GCE are hot-pluggable SFP fiber transceiver modules and are readily usable with all Altronix Spectrum fiber optic equipment for 1Gb transmission rates.

P1MM For use with Multi-Mode Fiber for distances up to 550m.

P1SM10 For use with Single-Mode Fiber for distances up to 10km.

P1AB2K For use with Single Strand Single-Mode Fiber for distances up to 2km.

P1GCE For use with CAT5e or better for distances up to 100m.

Installation Instructions:

Wiring methods shall be in accordance with the National Electrical Code/NFPA 70/ANSI, and with all local codes and authorities having jurisdiction. All units should be installed by a trained service personnel.

Mounting Instructions:

1. Remove backplane from enclosure prior to drilling. Do not discard hardware.
Note: Make sure that hardware will not interfere with components of the circuit board.
2. For installing Vent2 refer to page 8.
3. Mark and drill desired inlets on the enclosure to facilitate wiring. Maximum NEMA type 4X rated fittings to be used are 0.5". Follow manufacturer's specifications for the appropriate size opening.
Note: Inlets for conduit fittings should only be made on the bottom of the enclosure.
To facilitate wire entry utilize weather-tight NEMA rated connectors (*supplied*), bushings, and cable.
4. Clean out the inside of enclosure before remounting circuit boards/backplane.
5. Mounting NEMA4/4X rated enclosure (*Enclosure Dimensions, pg. 12*):
Wall mount: Mount unit in desired location. Mark and drill holes to line up with the top and bottom hole of the enclosure flange. Secure enclosure with appropriate fasteners (e. g. screws and anchors; bolts and locking nuts, etc.) that are compatible with mounting surface and are of sufficient length/construction to ensure a secure mount (*Fig. 4, pg. 9*).
Pole Mount: Refer to *Fig. 5 - 9 pg. 9*.
6. Mount backplane in enclosure with hardware.

Power Connection:

1. Secure cabinet to earth ground. Connect AC power from overcurrent protective device circuit breaker (20A @ 115VAC, 60Hz, 16A @ 230VAC, 50/60Hz) to the terminals marked [L, N] on power supply board (*Fig. 3, pg. 7*). Use 14AWG or larger for all power connections (Battery, DC output, AC input). Connect ground lug (⊕) to earth or green branch wire (12AWG min.).
Keep power-limited wiring separate from non power-limited wiring by utilizing separate knockouts/inlets. Minimum 0.25" spacing must be provided.
CAUTION: Do not touch exposed metal parts. Shut branch circuit power before installing or servicing equipment. There are no user serviceable parts inside. Refer installation and servicing to qualified service personnel.

Input/Data Connections:

1. Connect structured cables from port marked [Port 1] to [Port 4] on NetWay unit to PoE compliant cameras/edge devices (*Fig. 1, pg. 4*).
2. Insert SFP module into port(s) marked [SFP], then connect cable to the SFP module on NetWaySP4BTB to the corresponding input of an SFP switch (*Fig. 1, pg. 4*).

Battery Backup:

1. EBC48 Rapid Battery Charger is factory set for 2A charging current.
If 4A charging current is desired, carefully remove NetWaySP4PT board (do not discard hardware).
Locate charging current selection switch on EBC48 and select "Option 2".



Please note: the charging current has to be subtracted from the total power supply allowable output current.

Refer to Charging Current Output Selection Table for available current depending on power supply.

Also note: battery recharge time depends on the battery capacity and charging current.

Using 4A charging current setting will allow to return ~28AH of charge into the appropriate size battery.

Battery performance is dependent on battery specifications from the manufacturer. This includes temperature ratings, charge capacity, charge/discharge cycles and depth of discharge. Altronix is not responsible for battery installation methods.

Charging Current Output Selection Table:

Switch Position	Battery Charging Current	Current Available for Devices (6.5A/360W total)
SW 1 - Option 1	2A	4.5A/240W
SW 1 - Option 2	4A	2.5A/130W

2. Connect four (4) 12V lead acid or gel type batteries, connected in series to be charged to the terminals marked [- BAT +] (Fig. 1, pg. 4). When use of stand-by batteries is desired, they can be lead acid or gel type. If batteries are housed inside the enclosure, it must be properly ventilated. Use included Altronix Vent2 kit.

Note: When batteries are not used, a loss of AC will result in the loss of output voltage.

For outdoor battery backup, battery enclosure must have sufficient ventilation.

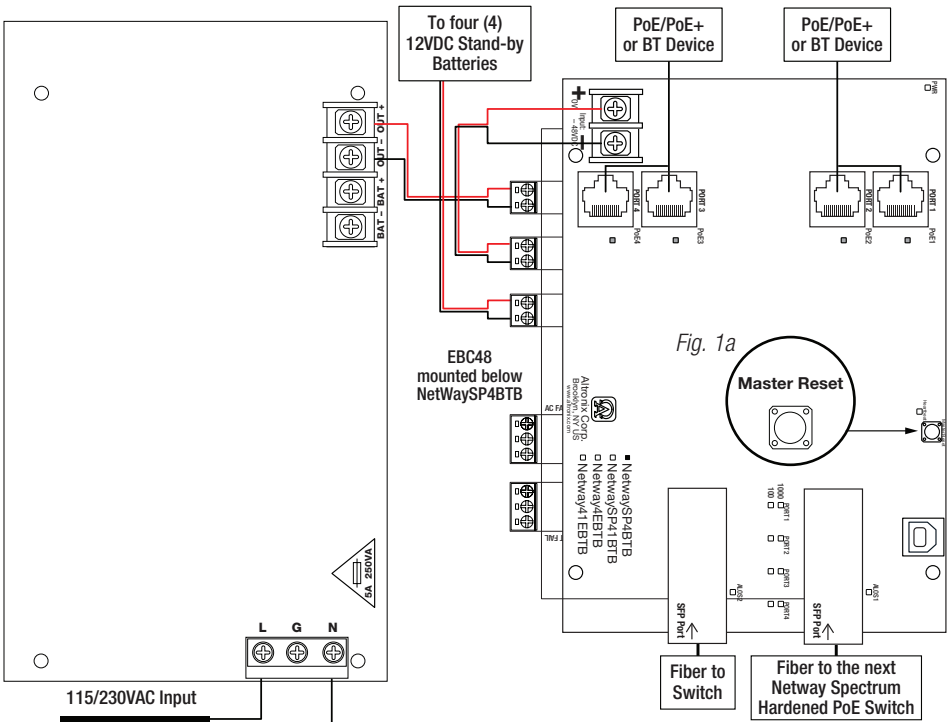
Security:

Please ensure that the cover is secured with latches and optional Altronix Lock1WP.

Technical Specifications:

Parameter	Description		
Number of Ports	Four (4) 10/100/1000 Mbps Ethernet ports rated at 90W each. IEEE 802.3af, 802.3at, 802.3bt compliant. Two (2) Gigabit SFP Ports.		
Input Power Requirements	NetWaySP4TCW53: 115VAC, 60Hz, 3.5A or 230VAC, 50/60Hz, 2A. NetWaySP4TCW57: 277VAC, 50/60Hz, 1.75A.		
Environmental Conditions	Operating Ambient Temperature	360W:	- 30°C to 65°C (- 22°F to 149°F)
		240W:	- 30°C to 70°C (- 22°F to 158°F)
	Storage Temperature	- 30°C to 85°C (- 22°F to 185°F)	
	Relative Humidity	85%, +/- 5%	
	Operating Altitude	- 304.8 to 2,000m	
Weights (approx.)	Model	Product Weight	Shipping Weight
	NetWaySP4TCW53	15 lb. (6.8 kg)	17.5 lb. (7.9kg)
	NetWaySP4TCW57		

Typical Applications:



Configuring Unit for Browser-Based Connectivity:

Point your browser to IP address of your unit.

If the IP address is not known, you can use the USB Tool to discover the IP address.

Visit altronix.com for the latest firmware and installation instructions

VLans

VLans (Virtual Local Area Networks) are a subnetwork that allow for the grouping together of devices for improved network traffic as well as providing higher security by allowing greater control over which devices have access to each other. It is important to plan how you will setup your devices for each vLan.

Configuring vLan on the Altronix NetwaySP4TCW53/W57 Series Layer 2 Switch:

1. Ensure Laptop or PC being used to program the vLan settings is on a port that will be assigned to your first vLan configuration. By default the management portion of the software is assigned to vLan-1, **CAUTION:** Changing VID=1, the industry standard VLAN HOST address to any other VID address should be done with caution and performed only locally, since the change will drop the original HOST connection. Local access then facilitates a physical reconnection to respective port.
Note: Only this vLan network allows access to IP management.
2. In Network Section click on vLan Tab.
3. Click Add vLan.
4. Enter a name for the vLan.
5. Enter a vLan ID, i.e. 10, 20, etc. Ensure this vLan ID is associated with a vLan setup on the main switch and that your Laptop or PC being used for programming is on this same ID.
Note: vLan ID could be any value 2-4094.
6. Assign vLan QOS (Quality of Service) priority. 0 = Lowest and 7 = Highest
7. Pick a Trunk port (Tagged Ports). Trunk ports are typically the main connection for network traffic for each group. They are usually connected to a network switch, WAPs, etc.
8. Pick the Access port(s) (Untagged Ports) associated with the vLan. Access Ports are typically used for Cameras, etc. If programming locally, ensure your laptop or PC is connected to one of these ports.
9. Save Configuration.
10. Repeat steps 2 - 9 to add another vLan.
If unit is accidentally programmed incorrectly and you cannot get into the NetwaySP4BT series programming, physically moving ports of your PC connected to the main switch to a correct port (when being programmed remotely), or, as a last resort, completing a factory reset locally and reprogramming the unit.
11. **Advanced Port Settings:**
Unknown VID Packet Forwarding Configuration:
On ingress unknown VID, Forward to a fixed set of ports. By default no forwarding is set.
Configuration on Ingress Untagged Traffic:
Trunk Port action for ingress UNTAGGED packets. By default do not drop packets.
Keep Tag on Egress:
Select if you want ACCESS Port to keep the vLan tag when sending egress packets.
By default tags are stripped.
Preferred VLAN Forwarding:
For ACCESS Ports that belong to more than one vLan. Select preferred vLan to forward UNTAGGED ingress packets. By default preferred vLan is the last vLan created.

Factory Reset Option:

1. Power the unit down. Allow approximately 30 seconds for the unit to power down completely.
2. Depress Factory Reset button on NetWaySP4BTB while reapplying power to the unit (Fig. 1a, pg. 4; Fig. 2, pg. 5). Continue holding the button until the LEDs on board go through the start up cycle, then release the button.
3. The unit returns to the original factory settings.

Fig. 2

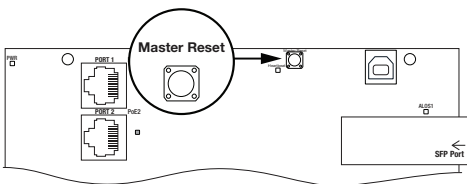
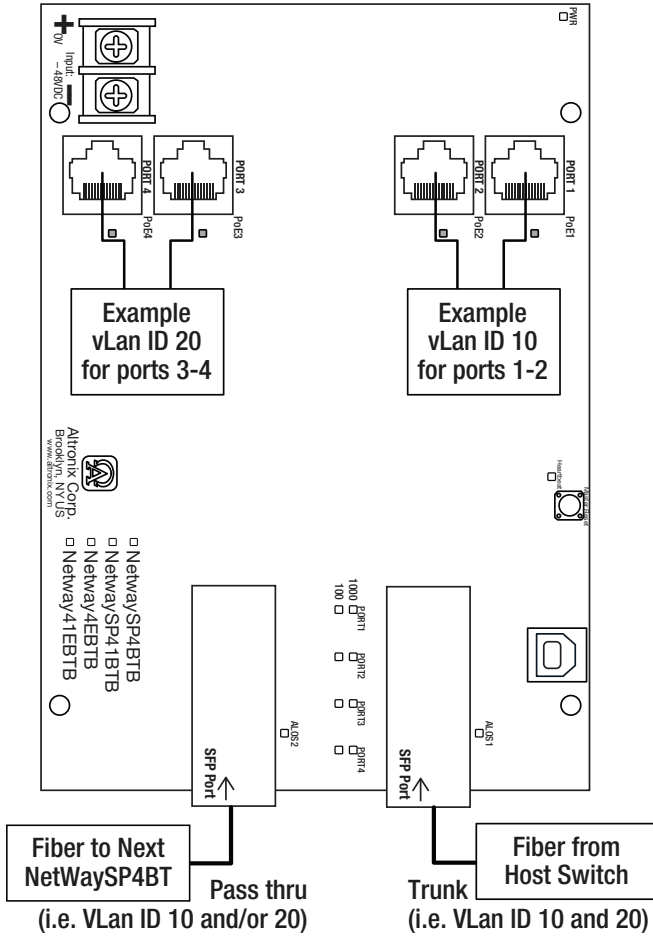


Fig. 3 - Typical VLAN Setup:

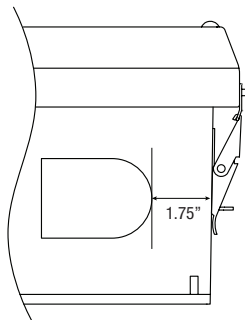
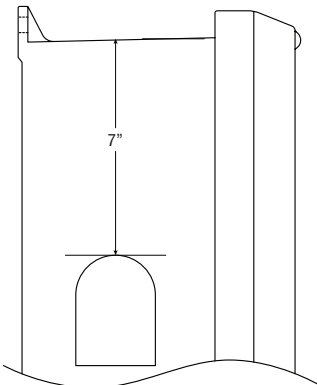


Installing Vent2 on NetwaySP4TCW53/W57:

Fig. 4

Left Side of Enclosure

Bottom of Enclosure

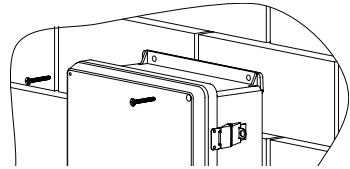


1. Using the template from the Vent2 bag, install the vents in the positions shown on Fig. 4.

Wall Mount Installation:

- 1- Place unit at desired location and secure with mounting screws (not included) (Fig. 5, pg. 7).

Fig. 5



Pole Mounting Using Optional Pole Mount Kit PMK2:

This installation should be made by qualified service personnel. This product contains no serviceable parts. PMK2 outdoor pole mount kit is designed to simplify the installation of Altronix outdoor rated power supplies and accessories housed in WP5 NEMA rated enclosures. PMK2 can be mounted on 2" to 8" (50.8mm to 203.2mm) diameter round or 5" (127mm) square poles. Brackets are designed for use with the Wormgear Quick Release Straps (two included).

1. Thread one (1) wormgear quick release strap through the slots on the back of a mounting bracket (Fig. 6, pg. 7).
2. Once the desired height of the top Pole Mount bracket is achieved, tighten the straps down by sliding open end of the strap through the locking mechanism on the strap, then tighten the screw with flat head screwdriver or 5/16" hex socket driver (Fig. 7, pg. 7 and Fig. 10, 10a, pg. 7).

Fig. 6

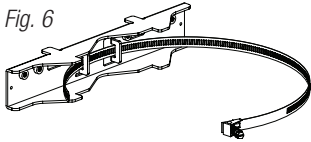


Fig. 7

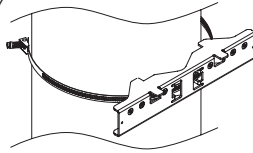
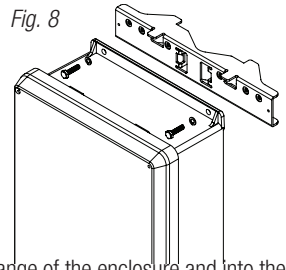


Fig. 8



3. Attach the bottom bracket to the enclosure by inserting bolts through the flange of the enclosure and into the bracket, tightening bolts with a 7/16" hex socket (Fig. 9, pg. 7).
4. Thread the second wormgear quick release strap through the slots on the back of the bottom mounting bracket (Fig. 9, pg. 7).
5. Mount enclosure onto the top bracket by inserting bolts through flange of the enclosure and into the bracket, tightening bolts with a 7/16" hex socket (Fig. 8, pg. 7).
6. Tighten the straps of the bottom bracket down by sliding the open end of the strap through the locking mechanism on the strap, then tighten screw with flat head screwdriver or 5/16" hex socket driver (Fig. 9, pg. 10).
7. Clip excess straps.

Fig. 9

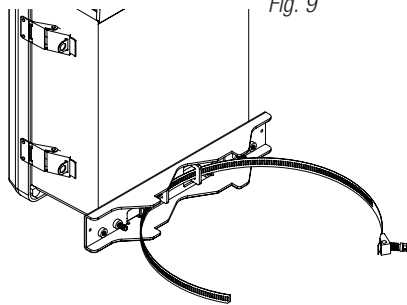


Fig. 10
2" to 8" (50.8mm to 203.2mm)
diameter round pole

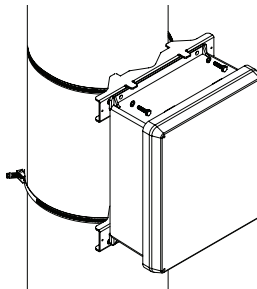
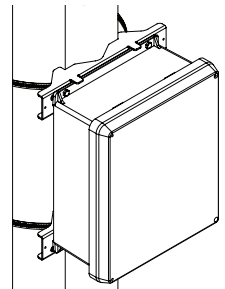


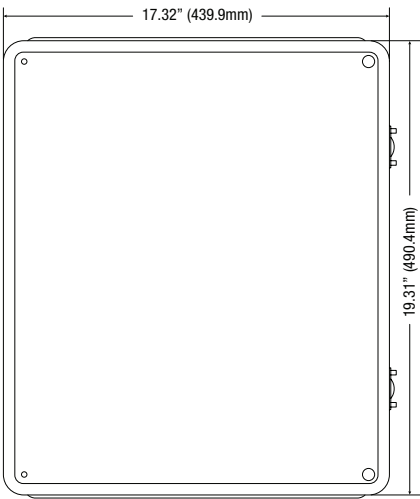
Fig. 10a
5" (127mm) square pole



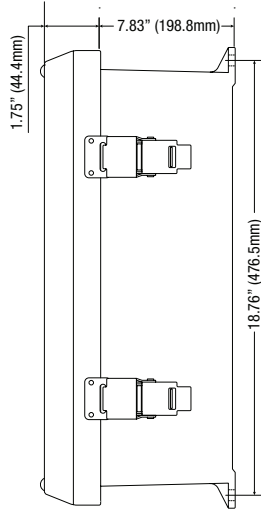
Enclosure Dimensions (H x W x D approximate):

19.31" x 17.32" x 9.58" (490.4mm x 439.9mm x 243.3mm)

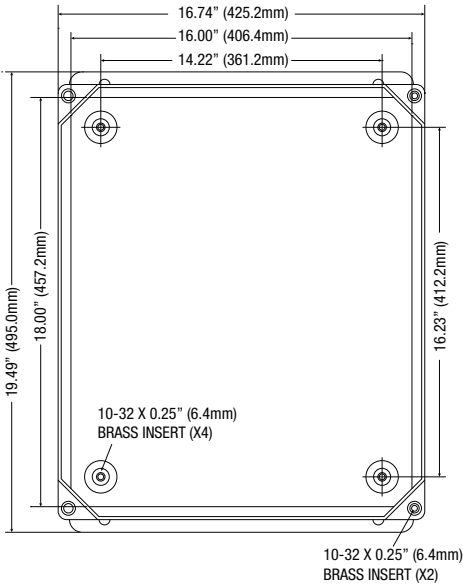
FRONT VIEW



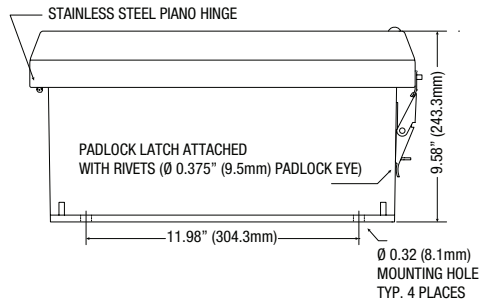
RIGHT SIDE VIEW



FRONT VIEW COVER REMOVED



END VIEW



Altronix is not responsible for any typographical errors.

140 58th Street, Brooklyn, New York 11220 USA | phone: 718-567-8181 | fax: 718-567-9056

website: www.altronix.com | e-mail: info@altronix.com | Lifetime Warranty

INetWaySP4TCW53/W57

F09Z



MEMBER